

Project Name:		Approval:	
Location:		Date:	
Engineer:		Construction:	
Submitted to:		Unit #:	
Submitted by:		Drawing #:	
Reference:			

Indoor unit model	B-SVH18SB-1
Outdoor unit model	A-SVH18SB-1



PERFORMANCE DATA

Power supply	Ph-V-Hz	208-230V~60Hz , 1Ph
Cooling		
Capacity	Btu/h	17000
Input	W	1720
Rated current	A	7.6
EER	Btu/w	9.9
SEER	Btu/w	18.5
Heating at 47		
Capacity	Btu/h	18000
Input	W	1700
Rated current	A	7.5
COP	W/W	3.10
HSPF4		9.7
HSPF5		8
Electrical		
MINIMUM CIRCUIT AMPACITY	A	15
MAX. FUSE	A	20
Connection wiring		16*4 AWG
Compressor		
Model		KSN140D21UFZ
Type		ROTARY
Brand		GMCC
Capacity	Btu/h	14962
Input	W	1140
Rated current(RLA)	A	7.5
Locked rotor Amp(LRA)	A	---
Thermal protector		---
Thermal protector position		---
Refrigerant oil/oil charge	ml	ESTER OIL VG74 440ml
SYSTEM DATA		
Design pressure	PSIG	550/340 PSIG
Refrigerant type	oz	R410A/47.97oz
Refrigerant precharge	ft	25
Additional charge per ft.	oz	0.161
Liquid side/ Gas side	mm(in)	Φ6.35/Φ12.7(1/4"/1/2")
Max. refrigerant pipe length	ft	98
Max. difference in level	ft.	66

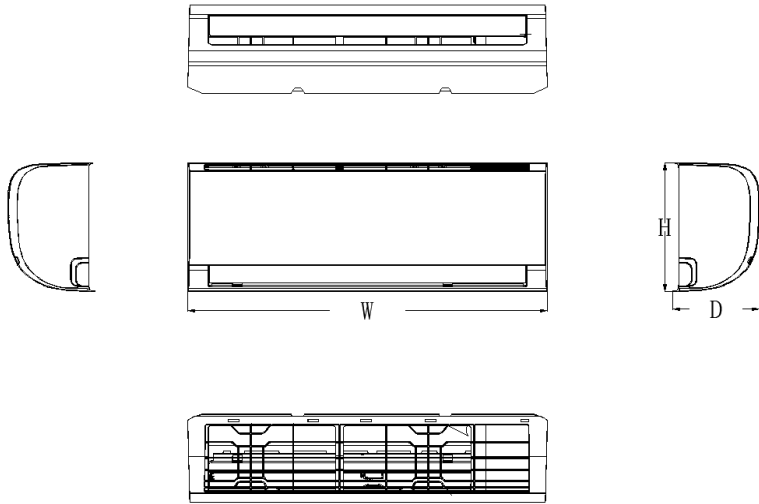
INDOOR UNIT DATA

Indoor fan motor		
Model		B-SVH18SB-1
Brand		Welling
Input		58.5
RLA	A	0.28
LRA	A	0.356
Winding Resistance	Ω	183.6/206
Capacitor	uF	1.5
Speed(Hi/Mi/Lo)	r/min	1200/1000/800
Air flow & Noise level		
Indoor air flow (Hi/Lo)	CFM	463.53/369.41/275.29
Indoor noise level (Hi/Lo)	dB(A)	44/38/30
Indoor unit		
Dimension(W*D*H)	inch	37.68x8.39x11.89
Packing (W*D*H)	inch	40.75x11.61x15.16
Net/Gross weight	lbs.	22.93/29.32

OUTDOOR UNIT DATA

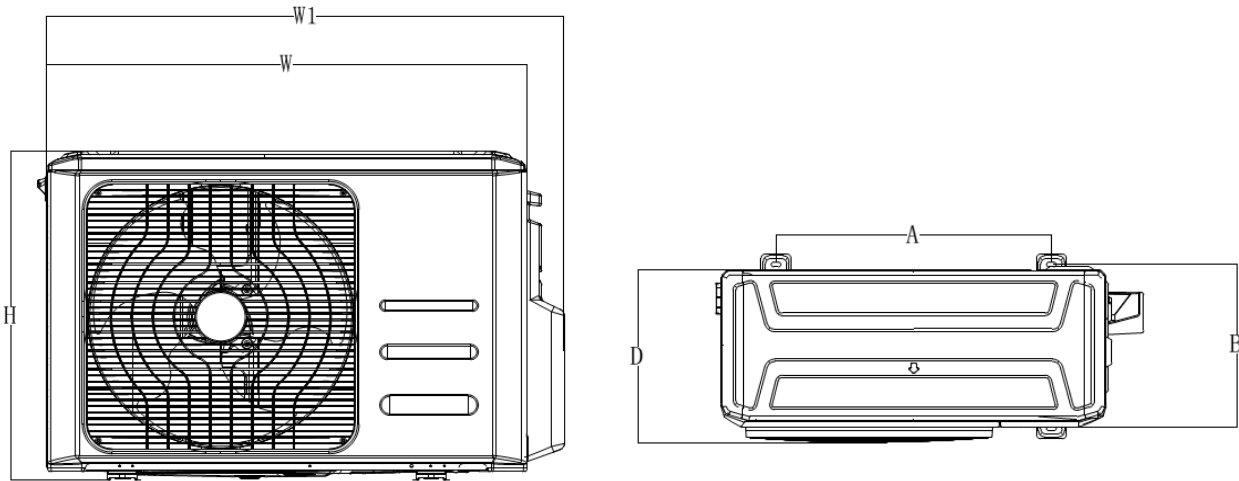
Outdoor fan motor		
Model		A-SVH18SB-1
Brand		Welling
Input		100.3
RLA	A	0.82
LRA	A	-
Winding Resistance	Ω	-
Capacitor	uF	-
Speed	r/min	810/700/450
Air flow & Noise level		
Outdoor air flow	CFM	1235.29
Outdoor noise level	dB(A)	57
Outdoor unit		
Dimension(W*D*H)	inch	30.12x11.93x21.85
Packing (W*D*H)	inch	34.92x13.27x24.02
Net/Gross weight	lbs.	64.15/69.67
Operation temperature		
Indoor(cooling/ heating)	Deg. F	17~32/0~30
Outdoor(cooling/heating)	Deg. F	5~122/5~86
Application area	sq.ft	251-368

INDOOR UNIT



Model	W (inch)	D (inch)	(inch)				
B-SVH18SB-1	37.68	8.39	1.89				

OUTDOOR UNIT



Model	W (inch)	D (inch)	(inch)				W1 (inch)	A (inch)	B (inch)
A-SVH18SB-1	31.50	13.11	1.81				33.03	17.80	11.26